

SONY®



DUALSHOCK®4 Charging Station

Instruction Manual
CUH-ZDC1

4-476-862-12(2)

WARNING

NOTICE FOR CUSTOMERS IN THE UNITED KINGDOM

A moulded plug complying with BS1363 is fitted to this equipment for your safety and convenience. Should the fuse in the plug supplied need to be replaced, a 5AMP fuse approved by ASTA or BSI to BS1362, (i.e., marked with ⚡ or ⚡ mark) must be used. If the plug supplied with this equipment has a detachable fuse cover, be sure to attach the fuse cover after you change the fuse. Never use the plug without the fuse cover. If you should lose the fuse cover, please contact your nearest Sony service station.

This product has been manufactured by or on behalf of Sony Interactive Entertainment Inc., 1-7-1 Konan Minato-ku Tokyo, 108-0075 Japan.

Imported into Europe and Distributed by Sony Interactive Entertainment Europe Limited, 10 Great Marlborough Street, London, W1F 7LP, United Kingdom.

The Authorised Representative for issuing and holding Declarations of Conformity is Sony Belgium, bijkantoor van Sony Europe Limited, Da Vincilaan 7-D1, 1935 Zaventem, Belgium.

Before use

Before using this product, carefully read this manual and any manuals for compatible hardware. Retain instructions for future reference.

Precautions

Safety

- Only use the AC adaptor and AC power cord included with the product. Other types may cause fire, electrical shock or malfunction.
- Do not connect the AC power cord to a voltage transformer or inverter. Connecting the AC power cord to a voltage transformer for overseas travel or an inverter for use in an automobile may cause heat to build up in the AC adaptor and may cause burns or a malfunction.
- Unplug the AC power cord from the electrical outlet before cleaning or when you do not intend to use the product for an extended period of time.
- Keep the product out of the reach of small children. Small children may swallow small parts or may wrap the cables around themselves, which may inflict injury or cause an accident or a malfunction.

Use and handling

- Do not swing the charging station, AC adaptor or the AC power cord around by their cables.
- Do not allow liquid or small particles to get into the product. If this happens, stop use and disconnect it from the electrical outlet immediately.
- Do not touch the product with wet hands.
- Do not throw or drop the product or subject it to strong physical shock.
- Do not put heavy objects on the product.
- Do not touch the ports or insert any foreign objects into the product.
- Never disassemble or modify the product.
- Do not place this product on an unstable surface or leave on the floor.

Exterior protection

Follow the instructions below to help prevent the product exterior from deteriorating or becoming discoloured.

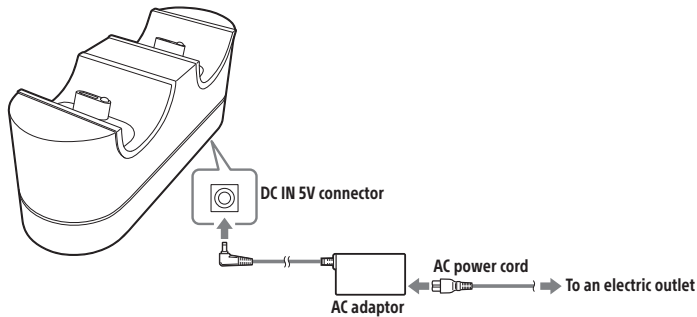
- Do not place any rubber or vinyl materials on the product exterior for an extended period of time.
- Use a soft, dry cloth to clean the product. Do not use solvents or other chemicals. Do not wipe with a chemically-treated cleaning cloth.

Storage conditions

- Do not expose the product to high temperatures, high humidity or direct sunlight.
- Do not leave the product in a car with the windows closed, particularly in hot weather.
- Do not expose the product to dust, smoke or steam.

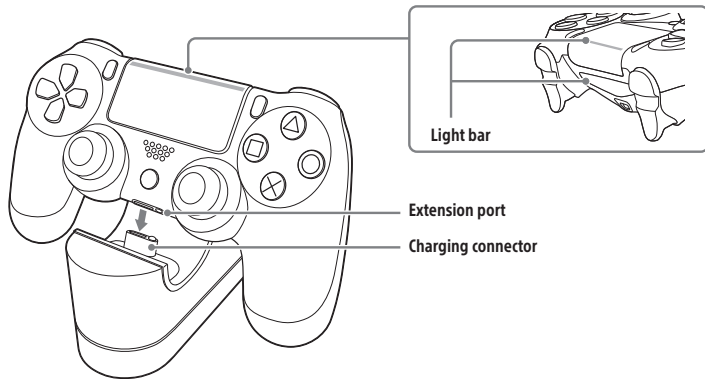
Charging

- 1 Connect the supplied AC adaptor and the AC power cord.



- 2 Attach the DUALSHOCK®4 wireless controller to the charging station.

Align the charging connector on the charging station with the extension port on the controller, and then press down on the controller until it clicks. The light bar on the controller blinks slowly in orange, and then the controller starts charging. When the controller finishes charging, the light bar turns off.



To remove the controller

Lift the controller, and then remove it from the charging station.

Approximate charging time

It takes approximately 2 hours to charge the controller when the battery has no remaining charge.

Specifications

Input	Charging station: DC 5 V AC adaptor: AC 100-240 V, 0.3 A, 50/60 Hz
Output	AC adaptor: DC 5 V, 2 A
External dimensions (w × h × d)	Approx. 45.0 × 55.5 × 135.0 mm
Mass	Approx. 230 g
Operating temperature	5 °C to 35 °C
Country of production	China

Design and specifications are subject to change without notice.

GUARANTEE

This product is covered for 12 months from date of purchase by the manufacturer's guarantee. Please refer to the guarantee supplied in the PlayStation®4 package for full details.

NOTICE FOR CUSTOMERS IN THE UNITED KINGDOM



Where you see this symbol on any of our electrical products or packaging, it indicates that the relevant electrical product should not be disposed of as general household waste in Europe and Turkey. To ensure the correct waste treatment of the product, please dispose of it in accordance with any applicable local laws or requirements for disposal of electrical equipment. In so doing, you will help to conserve natural resources and improve standards of environmental protection in treatment and disposal of electrical waste.

"PS", "PlayStation", "PS4", "DUALSHOCK" and "△ ○ × □" are registered trademarks or trademarks of Sony Interactive Entertainment Inc.

"SONY" and "Sony Interactive Entertainment" are registered trademarks or trademarks of Sony Corporation.



Sony
Interactive
Entertainment

eu.playstation.com/ps4

