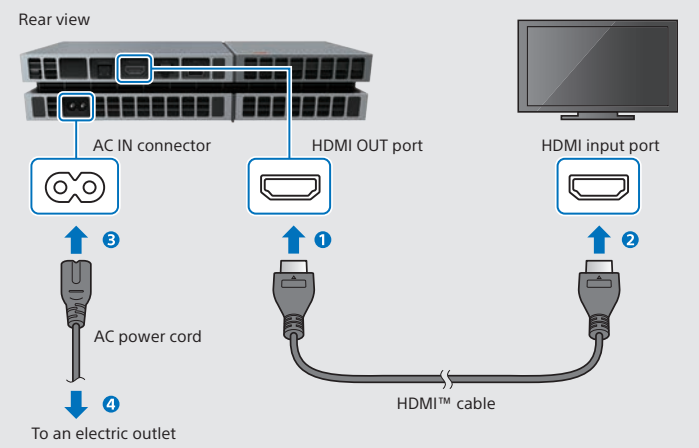


# Getting started

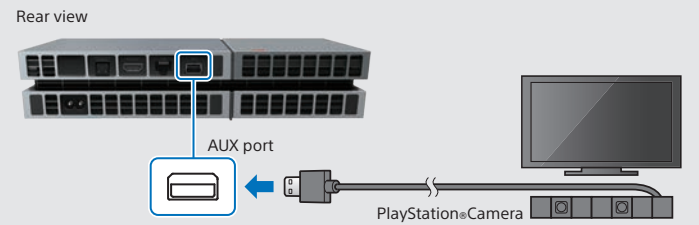
## 1 Connect the PlayStation®4 system to a TV.

Connect the HDMI cable and the AC power cord in order, from 1 to 4.

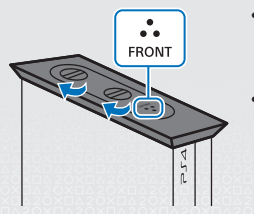


## 2 Connect and install the PlayStation®Camera.

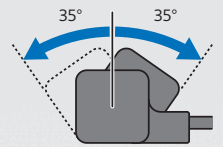
Remove the protective film from the camera, and then place the camera at the front and center of the TV.



**Using the Camera Stand**  
A camera stand is included with your PS4™ system. Refer to the instruction manual for the PlayStation®Camera for details about use of this stand.

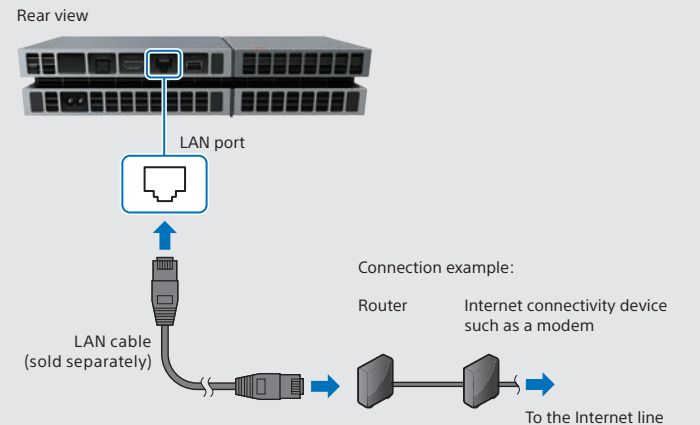


- When using the PS4™ system in a vertical position, use the supplied vertical stand. Place the PS4™ system on a soft cloth and align the front of the stand with the front of the system.
- Do not lift the system only by the stand when the stand is attached.



- If the dual lenses of the camera become dirty, wipe them with a soft cloth.
- You can adjust the angle of the camera up and down.

## 3 For a wired connection to the Internet, connect a LAN cable (sold separately).



- When connecting to a network wirelessly (using Wi-Fi), do not connect an active LAN cable to the PS4™ system. A LAN cable connection is prioritized by the system.
- To fully enjoy PS4™ system features, an Internet connection is recommended.

## 4 Turn on the TV, and then set the TV input to HDMI.

## 5 Touch the (power) button of the PS4™ system to turn the system on.

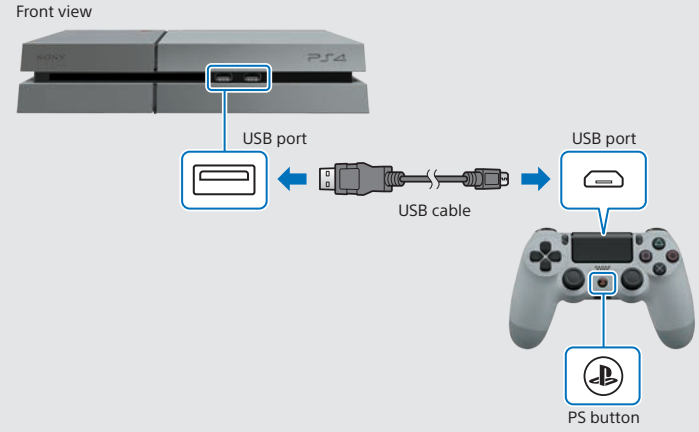
The power indicator blinks in [blue], and then lights up in [white].



If video is not displayed on the screen or video is not correctly displayed when the system is turned on (the power indicator lights up in [white]), touch the (power) button for at least 7 seconds (until the system beeps a second time) to turn off the power, and then turn on the power again.

## 6 Connect the DUALSHOCK™4 wireless controller to the system using the USB cable, and then press the (PS) button.

The controller is registered (paired) when you connect it with the USB cable, and turns on when you press the (PS) button.



- Initial registration of the controller is necessary in some situations, such as when using the controller for the first time, or using the controller on another PS4™ system.
- After registration of the controller is complete, you can disconnect the USB cable and use the controller wirelessly.

## 7 Perform initial setup.

Set up an Internet connection, set the date and time, and adjust other settings. Follow the screens to adjust settings, and then select [Start Now] from the setup completion screen. When you set up an Internet connection and there is a later version of the system software, an update file will automatically download.

Items that you set during the initial setup, as well as items for which you selected [Set Up Later] or [Skip], can be changed and set from (Settings) in the function screen.

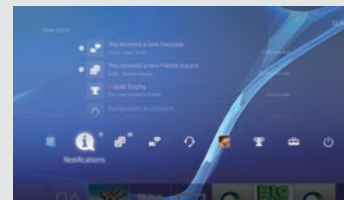


## Quick Start Guide





## Using the screen



### Function screen

A row of function items is displayed. You can do things such as check for new notifications and send messages to your Friends. To access some features, you must have an Internet connection and be signed in to PSN™.



Up button/  
Down button



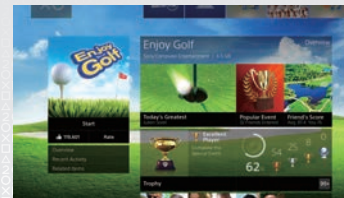
### Home screen

#### Content area

The content that you have started is listed in most recent order from left to right.



Up button/  
Down button



### Content info screen

The latest information about the selected content is displayed. To display the latest information, you must be signed in to PSN™.

## Playing games

### 1 Insert a disc.

The game appears in the content area of the home screen.



### 2 Select the game.

The game starts.



### Downloading games from PlayStation®Store

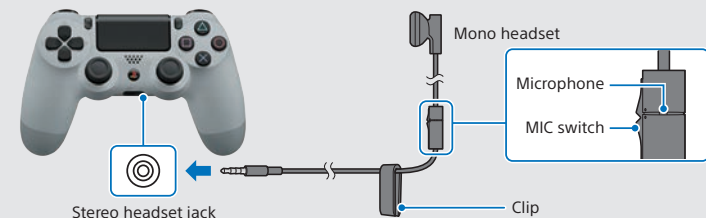
PlayStation®Store has a wide variety of content you can't get anywhere else, including games, free trial versions of the latest releases, and game add-ons that make the games you have even more fun to play. To use PlayStation®Store, you must be signed in to PSN™. You can also start playing select games without waiting for their downloads to complete.

### Sharing your gaming experience

By using online services, you can upload screenshots and video clips of gameplay from a game, and broadcast (stream) your gameplay. To use these features, you must be signed in to PSN™ with a Sony Entertainment Network (SEN) master account.

### Using a mono headset

To use the mono headset, connect it to the controller. With the default setting, only chat audio is output from the headset.



## Creating an SEN account

You can use PSN™ and SEN services such as PlayStation®Store and Music Unlimited by creating an account.

- An account can be created for free.
- You must have an Internet connection to use services. You must also update the system software to the latest version.
- A maximum of 16 accounts can be registered on the PS4™ system.
- To create an account for users under a certain age (a sub account), you must first create an account for a parent or guardian (a master account).
- Accounts created on a PlayStation®3 system, PlayStation®Vita system, or a computer can be used on the PS4™ system.

### If you do not have an account

Select (Settings) > [PSN™] > [Sign In to PSN] from the function screen, and then follow the screens to create an account.

### If you already have an account

Select (Settings) > [PSN™] > [Sign In to PSN] from the function screen, enter your sign-in ID and password, and then select [Sign In].

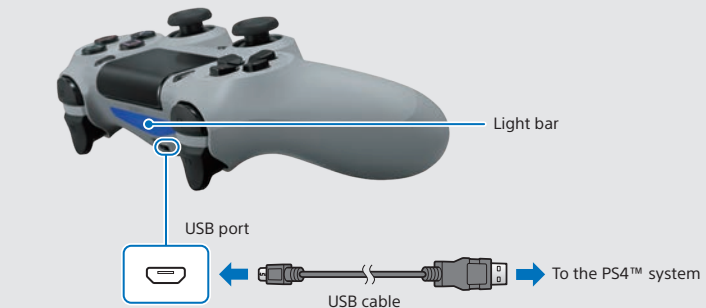
## Using the controller

### Charging

To use the controller wirelessly, the controller's battery must be charged. You can check the charge level of the battery on the screen that is displayed when you press and hold the (PS) button.

- 1 Turn on the PS4™ system (the power indicator lights up in □ white) or set it to standby mode (the power indicator lights up in □ orange).

- 2 Connect the controller to the PS4™ system using the USB cable.



To charge while in standby mode, you must set a checkmark in (Settings) > [Power Save Settings] > [Set Functions Available in Standby Mode] > [Supply Power from USB Ports].

### Using multiple controllers

You can use up to 4 controllers at the same time. When you press the (PS) button on a controller for which registration has been completed, a color is assigned and the light bar lights up. The color that is assigned depends on the order in which users press the (PS) button on the controller. The first user is blue, the second is red, the third is green, and the fourth is pink.

## Turning off the power

**Caution**  
Only disconnect the plug of the AC power cord from the electric outlet when the power indicator is turned off. If you disconnect it while the power indicator is lit or blinking, data might be lost or corrupted, or the system might be damaged.

### Entering standby mode

You can charge the controller from a USB port and remain signed in to PSN™ while in standby mode. Select (Power) from the function screen, and then select [Enter Standby Mode]. The screen turns off, the power indicator blinks in □ white, and then the power indicator lights up in □ orange. To exit standby mode, press the (PS) button on the controller.

### Turning off the power completely

Select (Power) from the function screen, and then select [Turn Off PS4]. The screen turns off, the power indicator blinks in □ white, and then the power indicator turns off.

### Understanding the power indicator

Lights up in <span style="color: white;">□</span> white	Powered on
Lights up in <span style="color: orange;">□</span> orange	Standby mode
Turned off	Powered off

## Further information

### User's Guide

Select (Settings) > (User's Guide) from the function screen. This document contains explanations of how to use each function, how to perform settings, how long to allow for charging the controller, and other operations. You can also view the User's Guide from a computer or other device.  
manuals.playstation.net/document/

### Safety Guide

This document contains information about how to safely use the PS4™ system, and information about specifications. It also contains product warranty terms. Be sure to read it before using the system.

"PS4" and "PlayStation" are registered trademarks of Sony Computer Entertainment Inc. "PS4", "DUALSHOCK", "PSN" and "PS" are trademarks of the same company.

"SONY" and "PS" are registered trademarks of Sony Corporation. "Sony Entertainment Network" is a trademark of the same company.

The terms HDMI and HDMI High-Definition Multimedia Interface, and the HDMI Logo are trademarks or registered trademarks of HDMI Licensing LLC in the United States and other countries.

Design and specifications are subject to change without notice. Information about system functionality and images published in this document may vary from those for your system, depending on the system software version in use. Also, the illustrations and screen images used in this guide may vary from the actual product.