

SONY®



PS3™
PlayStation 3

PlayStation®Move charging station

Instruction Manual

CECH-ZCC1A
CECH-ZCC1B

4-208-384-11(1)

WARNING

NOTICE FOR CUSTOMERS IN THE UNITED KINGDOM

A molded plug complying with BS1363 is fitted to this equipment for your safety and convenience. Should the fuse in the plug supplied need to be replaced, a 5AMP fuse approved by ASTA or BSI to BS1362, (i.e., marked with ⚡ or ⚡ mark) must be used. If the plug supplied with this equipment has a detachable fuse cover, be sure to attach the fuse cover after you change the fuse. Never use the plug without the fuse cover. If you should lose the fuse cover, please contact your nearest Sony service station.

The manufacturer of this product is Sony Computer Entertainment Inc., 2-6-21 Minami-Aoyama, Minato-ku Tokyo, 107-0062 Japan.

The Authorised Representative for EMC and product safety in Europe is Sony Deutschland GmbH, Hedelfinger Strasse 61, 70327 Stuttgart, Germany.

Distributed in Europe by Sony Computer Entertainment Europe Ltd, 10 Great Marlborough Street, London, W1F 7LP, United Kingdom.

Precautions

Before using this product, carefully read this manual and retain it for future reference. Read also the instructions for the PlayStation®3 system.

Safety

- For your safety, use only a licensed or genuine Sony AC adaptor or the AC power cord. Other types may cause fire, electrical shocks or a malfunction.
- Do not connect the AC power cord to a voltage transformer or inverter. Connecting the AC power cord to a voltage transformer for overseas travel or an inverter for use in an automobile may cause heat to build up in the AC adaptor and may cause burns or a malfunction.
- Do not allow liquid or small particles to get into the product. If this happens, stop use and disconnect it from the electrical outlet immediately.
- Never disassemble or modify the product.
- Do not expose the product to high temperatures, high humidity, or direct sunlight.
- Do not leave the product in a car with the windows closed (particularly in summer).
- Do not expose the product to dust, smoke or steam.
- Do not touch the product with wet hands.
- Unplug the AC power cord from the electrical outlet before cleaning or when you do not intend to use the system for an extended period of time.
- Keep the charging station out of the reach of small children.
- Before use, do not touch or insert foreign objects into the connectors of the charging station.
- Do not throw around the charging station, AC adaptor or the AC power cord.

Use and handling

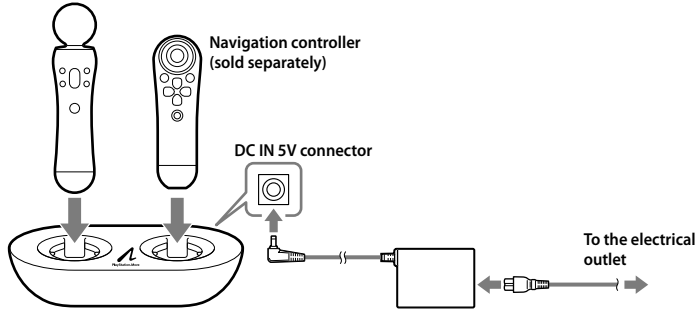
- Do not put heavy objects on the product.
- Do not throw or drop the product, or otherwise expose it to strong physical impact.
- Do not place this product on an unstable surface or leave on the floor.
- The product and its parts are made from metal and plastic materials. When disposing of the product, follow local regulations for the proper disposal of such materials.
- To clean this product, use a soft, dry cloth. Do not use solvents or other chemicals. Do not wipe with a chemically-treated cleaning cloth.

Charging

When you attach the PlayStation®Move motion controller (sold separately) or the PlayStation®Move navigation controller (sold separately) to the charging station, the status indicator of the controller flashes slowly and charging begins. When inserting the controller into the charging station, make sure that the strap on the controller does not get caught between the controller and the slot on the charging station.

The status indicator stops flashing when charging is complete.

**Motion controller
(sold separately)**



Estimating the battery charge time *

Motion controller	Approximately 4 hours
Navigation controller	Approximately 2 hours 15 minutes

* When charging a battery with no charge remaining

Specifications

Input

Charging station: DC 5 V
AC adaptor: AC 100-240 V, 0.2 A, 50/60 Hz

Output

AC adaptor: DC 5 V, 1500 mA

External dimensions

Approx. 160 mm × 90 mm × 34 mm (w × h × d)

Mass

Approx. 190 g

Operating temperature

5°C - 35°C

Supplied items

AC adaptor (1), AC power cord (1), Instruction manual (this document) (1)

Design and specifications are subject to change without notice.

GUARANTEE

For manufacturer's warranty details, please refer to the PlayStation®3 system instructions manual.



Where you see this symbol on any of our electrical products or packaging, it indicates that the relevant electrical product should not be disposed of as general household waste in Europe. To ensure the correct waste treatment of the product, please dispose of it in accordance with any applicable local laws or requirements for disposal of electrical equipment. In so doing, you will help to conserve natural resources and improve standards of environmental protection in treatment and disposal of electrical waste.

"PS", "PlayStation" and "PS3" are registered trademarks, and "PS3" is a trademark of Sony Computer Entertainment Inc.

"SONY" and "PS" are registered trademarks of Sony Corporation.



eu.playstation.com/ps3

